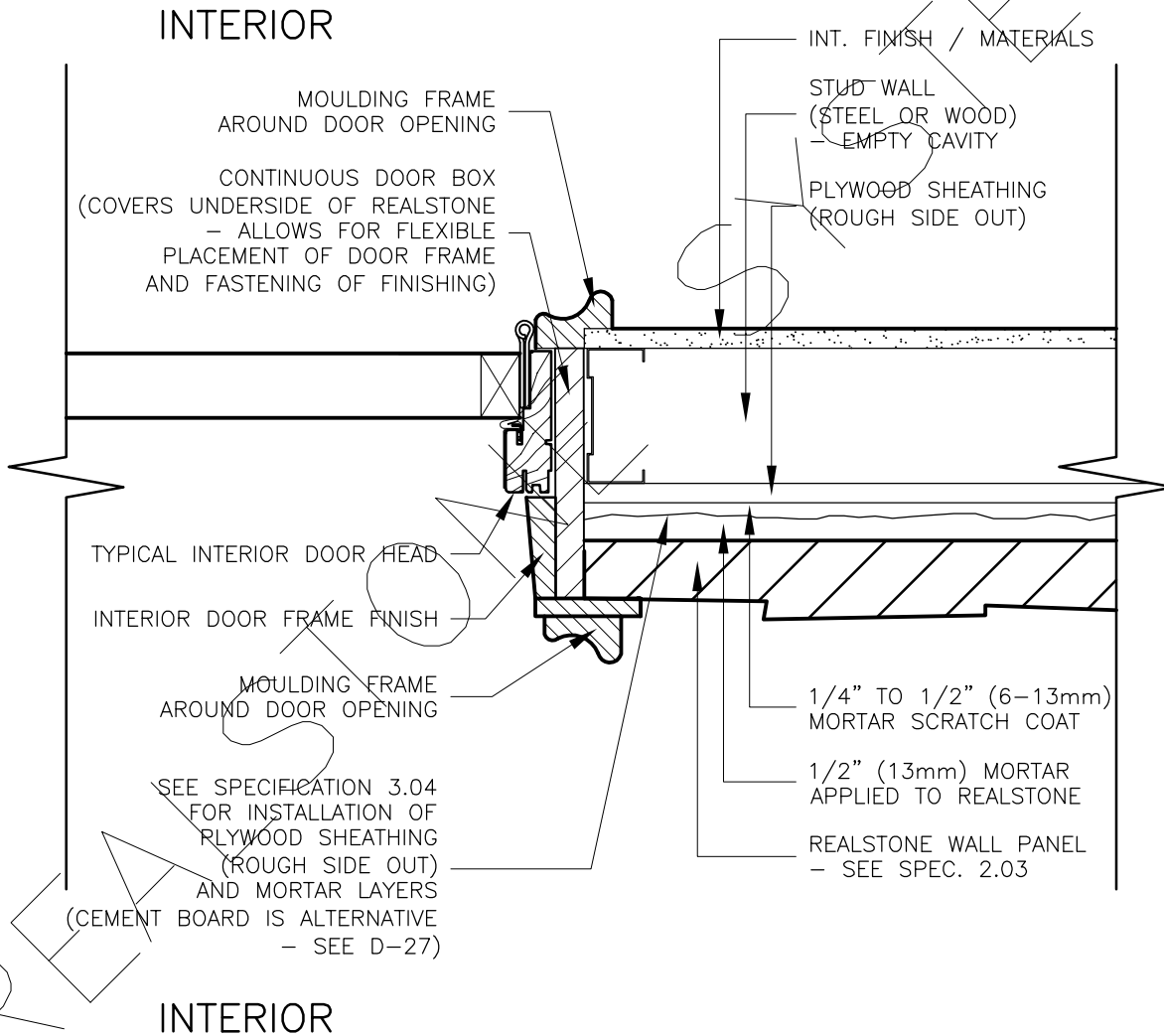


INTERIOR STUD WALL WITH PLYWOOD SHEATHING DOOR JAMB WITH MOULDING (PLAN)



FOR ALL GENERAL INFORMATION REGARDING MORTAR MIXES, STONE INSTALLATION AND SEQUENCING, REFER TO MASTER GUIDE SPECIFICATIONS

DRAWING DESCRIPTION:

THIS DETAIL ILLUSTRATES A POTENTIAL INTERIOR DOOR JAMB INTERFACE WITH THE REALSTONE SYSTEM. THIS DETAIL SHOWS A CONTINUOUS MOULDING FRAME (WOOD, CAST, ECT.) WRAPPING AROUND THE OUTSIDE AND INSIDE OF THE DOOR FRAME AND OPENING. A CONTINUOUS DOOR BOX IS INSTALLED INSIDE THE OPENING TO ALLOW FOR FLEXIBLE PLACEMENT OF DOOR FRAME AND PROPER FASTENING OF MOULDING AND FINISHING. OTHER FINISHING MATERIALS CAN BE USED AT THE INTERIOR DOOR JAMB INTERFACE DEPENDING ON AESTHETIC PREFERENCE. THESE DETAILS SHOULD BE SPECIFIED BY THE DESIGN PROFESSIONAL IN COMPLIANCE WITH THE LOCAL BUILDING CODE.

SHEET NO:
D-35

DRAWING: INT. DOOR JAMB W/ MOULDING (PLAN)

realstone SYSTEMS™
Realstone Simply Installed

NOTE: REALSTONE SYSTEMS' DETAILS ARE PROVIDED FOR THE CLARIFICATION OF THE MANUFACTURED PRODUCT, ITS APPLICATIONS AND TO ASSIST IN THE PROCESS OF PROJECT SPECIFIC DETAILS. DESIGN PRINCIPLES AND SPECIFICATIONS INCORPORATED IN THE FINAL DETAILS ARE THE RESPONSIBILITY OF THE PROJECT DESIGN PROFESSIONAL IN COMPLIANCE WITH THE LOCAL BUILDING CODE.

SCALE: 1:5

DATE: 08-12-12